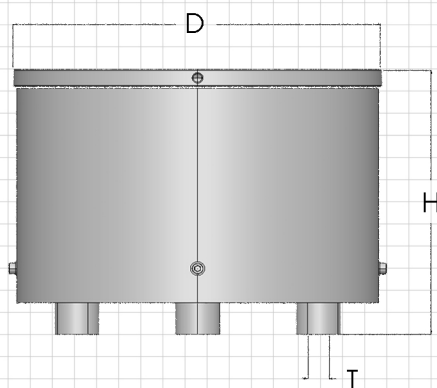
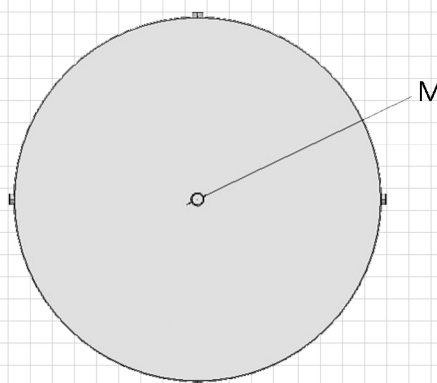
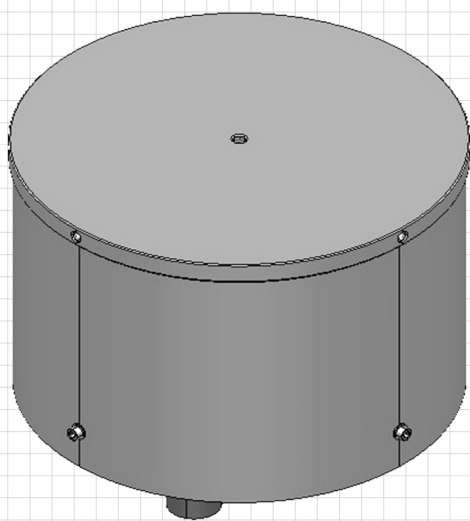


## BF Series (Medium /Heavy Duty Type)

BF series drive units are suitable for medium and large parts feeding. Feature in larger amplitudes which are optimal for heavier, larger workpieces and a wide range of applications.

### Dimensional Drawing

[ BF Series ]



#### Features

- Large amplitudes.
- Optimal for heavier/ larger workpiece.
- Wider range of application.
- Powered by electromagnetic coil.

### Dimension

Model	M	D	H	T
BF-20	M10	200	180	M6
BF-25	M10	250	193	M8
BF-35	M12	320	260	M8
BF-45	M12	360	272	M8
BF-50	M12	400	272	M10
BF-60	M12	530	292	M10
BF-70	M14	600	310	M12
BF-75	M14	700	310	M12

### Specification

Model	Weight (KG)	Input Voltage (V)	Rated Current (A)	Frequency of vibration (time/min)	Standard Bowl Diameter (Ø)	Applicable Controller
BF-20	18.0	200/220	2.0	3600-7200	200-250	HFC/ Frequency Type
BF-25	25.0	200/220	3.0	3600-7200	250-300	HFC/ Frequency Type
BF-35	40.0	200/220	4.0	3600-7200	350-400	HFC/ Frequency Type
BF-45	60.0	200/220	4.0	3600-7200	400-450	HFC/ Frequency Type
BF-50	70.0	200/220	4.0	3000-3600	450-500	HFC/ Frequency Type
BF-60	120.0	200/220	5.0	3000-3600	600-800	HFC/ Frequency Type
BF-70	160.0	200/220	8.0	3000-3600	800-1000	HFC/ Frequency Type
BF-75	200.0	200/220	8.0	3000-3600	1000-1200	HFC/ Frequency Type