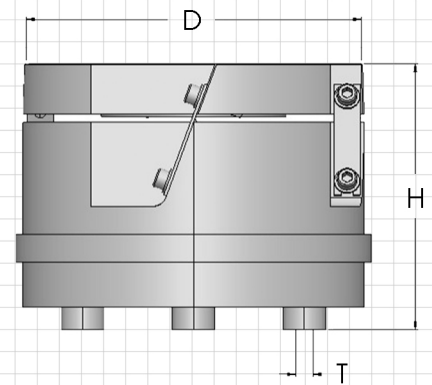
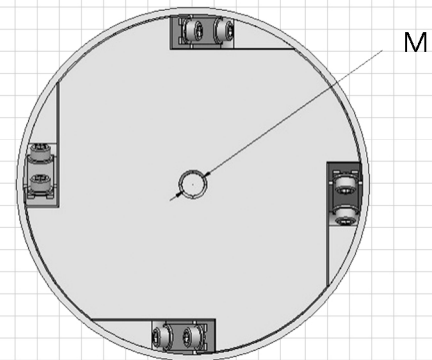
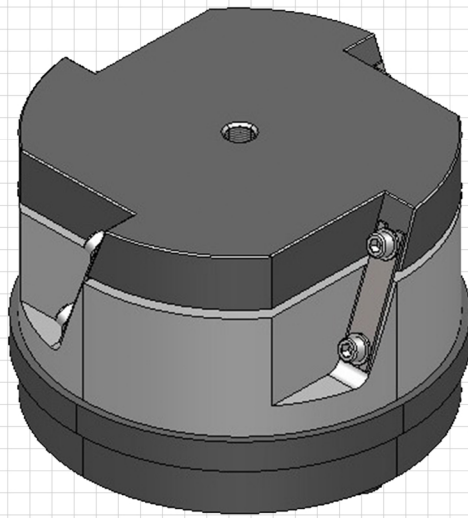


## HFD Series (Precision Type)

HFD series drive units are suitable for small and delicate precision parts. Feature in small amplitudes and fine vibration which is optimal for a smooth and stable transportation for delicate feeding.

### Dimensional Drawing

[ HFD Series ]



#### Features

- Small amplitudes and stable vibration.
- Lighter and compact.
- Ideal for small delicate precision parts.
- Powered by electromagnetic coil.

### Dimension

Model	M	D	H	T
HFD-90	M6	90	86	M5
HFD-120	M8	120	100	M5
HFD-150	M8	150	100	M6
HFD-200	M8	200	100	M6

### Specification

Model	Weight (KG)	Input Voltage (V)	Rated Current (A)	Frequency of vibration (time/min)	Standard Bowl Diameter (Ø)	Applicable Controller
HFD-90	3.0	200/220	0.5	5000-9000	90-120	HFC/ Frequency Type
HFD-120	5.0	200/220	1.0	5000-9000	150-180	HFC/ Frequency Type
HFD-150	7.0	200/220	1.0	5000-9000	180-240	HFC/ Frequency Type
HFD-200	8.0	200/220	1.5	5000-9000	250-300	HFC/ Frequency Type