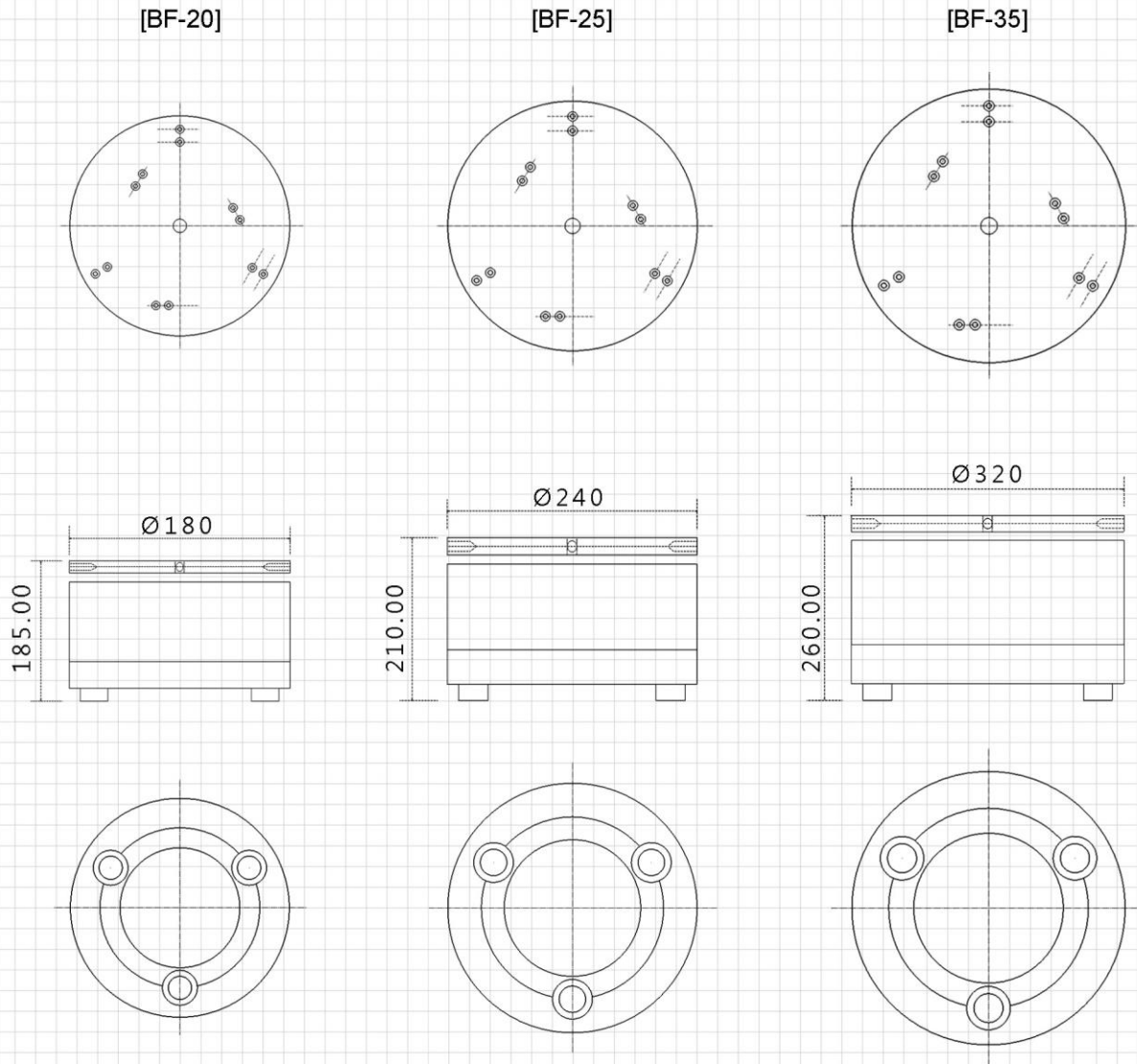


BF Series (Medium / Heavy Duty Type)

BF series drive units are suitable for medium and large parts feeding. Feature in larger amplitudes which is optimal for heavier and larger workpiece and ideal for a wider range application.



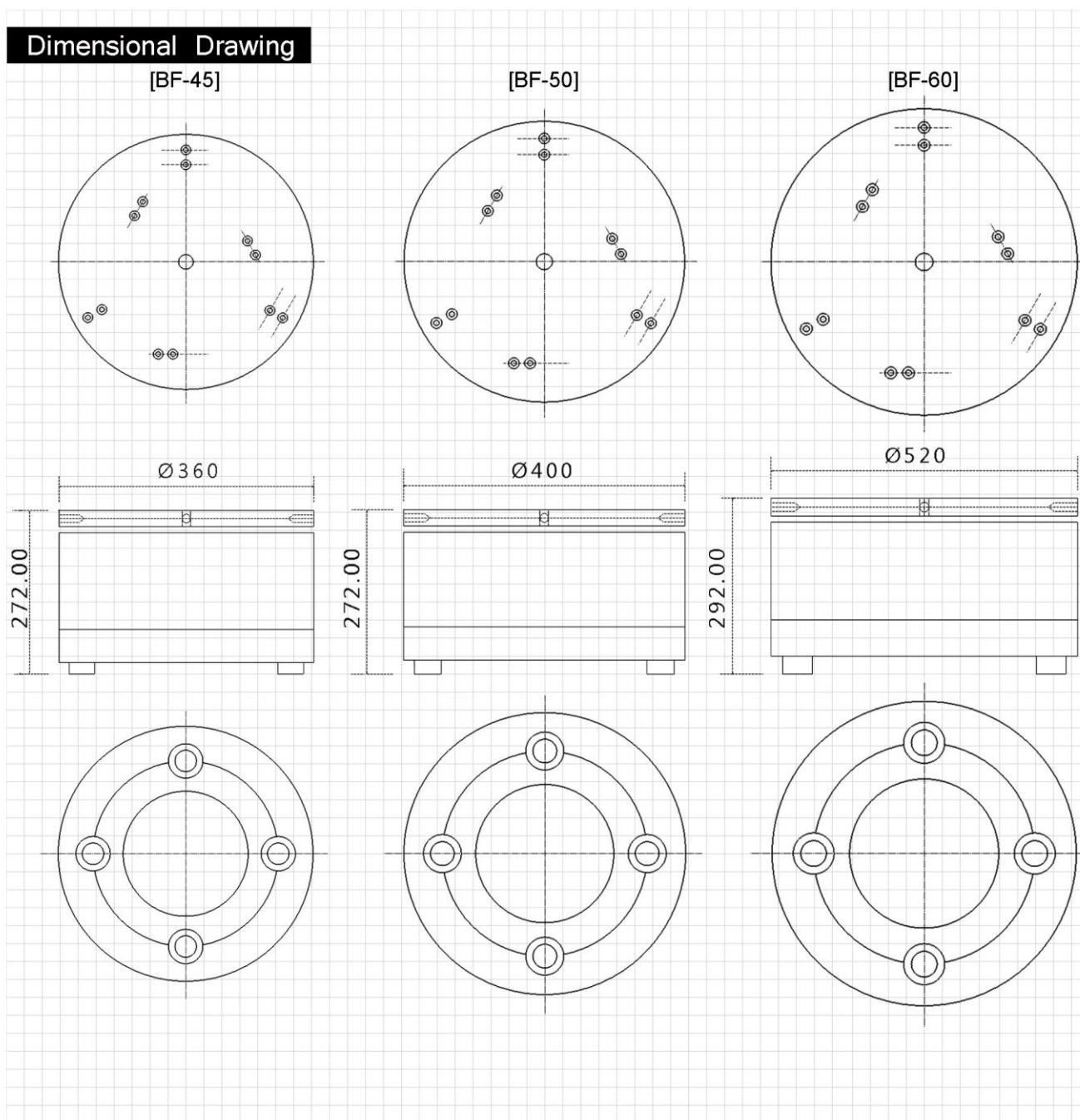
Dimensional Drawing



- Features**
- Large amplitudes.
 - Optimal for heavier/ larger workpiece.
 - Wider range of application.
 - Powered by electromagnetic coil.

Specification

Model	Weight (KG)	Input Voltage (V)	Rated Current (A)	Frequency of vibration (time/min)	Standard Bowl Diameter (Ø)	Applicable Controller
BF-20	18.0	200/220	2.0	3600-7200	200-250	HFC/ Frequency Type
BF-25	25.0	200/220	3.0	3600-7200	250-300	HFC/ Frequency Type
BF-35	40.0	200/220	4.0	3600-7200	350-400	HFC/ Frequency Type



Specification

Model	Weight (KG)	Input Voltage (V)	Rated Current (A)	Frequency of vibration (time/min)	Standard Bowl Diameter (Ø)	Applicable Controller
BF-45	60.0	200/220	4.0	3000-3600	400-450	HFC/ Frequency type
BF-50	70.0	200/220	4.0	3000-3600	450-500	HFC/ Frequency type
BF-60	120.0	200/220	5.0	3000-3600	500-700	HFC/ Frequency type