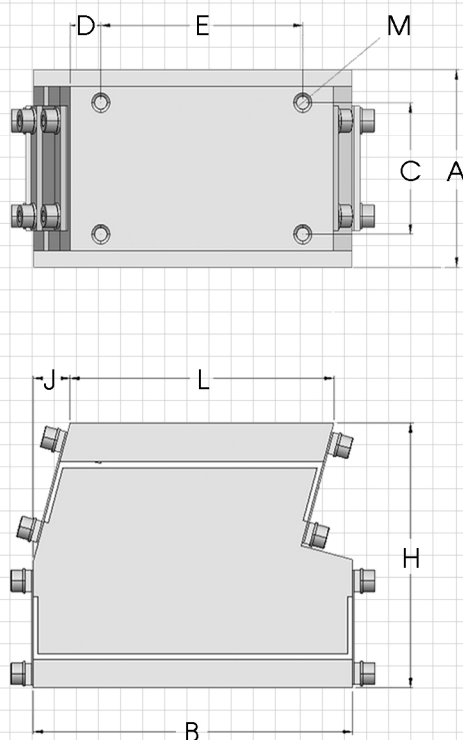
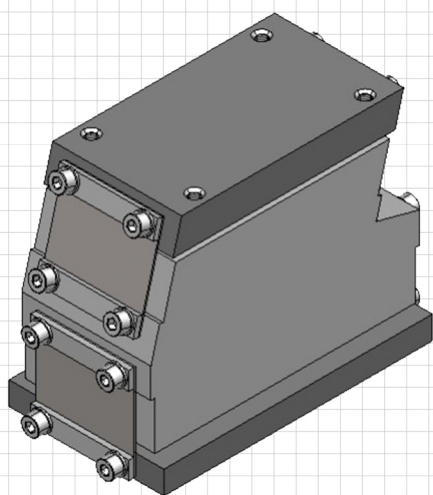


LFD Series (Precision / Light Duty Type)

LFD series drive units are suitable for precision parts. Feature in leaf spring to absorb rebound which is optimal for a smooth and stable transportation for delicate feeding. It is ideal for micro-sized workpiece.

Dimensional Drawing

[LFD Series]



Features

- Small amplitudes and stable vibration.
- Lighter and compact.
- Ideal for small delicate precision parts.
- Powered by electromagnetic coil.

Dimension

Model	A	B	C	D	E	H	J	L	M
LFD-70	36	85	25	12	50	82	17	70	M4
LFD-86	60	104	40	10	66	87	12	86	M4
LFD-130	60	150	46	15	100	98	15	130	M5
LFD-200	80	220	60	15	170	118	18	200	M6

Specification

Model	Weight (Kg)	Input Voltage (V)	Rated Current (A)	Hertz (Hz)	Track Length (mm)	Applicable Controller
LFD-70	1.5	200/220	1.5	100-120	200-250	HFC/ Frequency Type
LFD-86	2.0	200/220	1.5	80-100	300-350	HFC/ Frequency Type
LFD-130	4.5	200/220	2.0	80-100	350-400	HFC/ Frequency Type
LFD-200	12.0	200/220	2.5	80-100	500-600	HFC/ Frequency Type