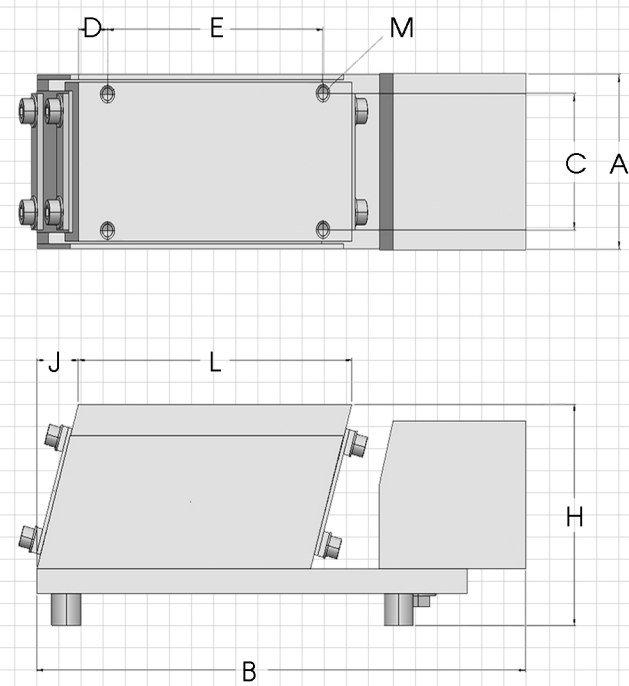
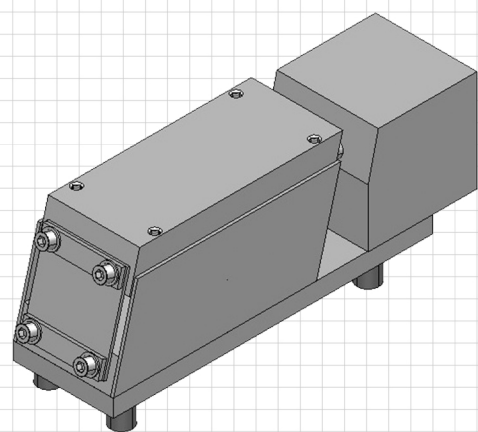


LFC Series (Medium /Heavy Duty Type)

LFC series is designed for small and medium-sized parts feeding. Featured in larger amplitude and frequency, which allows parts to travel a longer distance. It is suitable for a wide range of applications which are also ideal for a larger workpiece.

Dimensional Drawing

[LFC Series]



- Features
- Large amplitudes.
 - Optimal for heavier/ larger workpiece.
 - Wider range of application.
 - Powered by electromagnetic coil.

Dimension

Model	A	B	C	D	E	H	J	L	M
LFC-3	69	250	54	15	110	110	21	140	M5
LFC-4	86	280	70	15	130	125	25	160	M5
LFC-6	86	360	70	20	180	127	26	220	M5
LFC-4H	96	250	70	12	126	132	26	150	M5
LFC-5H	112	320	96	20	140	148	26	180	M6
LFC-6H	112	380	96	20	180	152	42	220	M6
LFC-8H	132	460	116	20	240	190	54	280	M8
LFC-10H	180	480	160	25	250	198	72	300	M8

Specification

Model	Weight (KG)	Input Voltage (V)	Rated Current (A)	Hertz (Hz)	Track Length (mm)	Applicable Controller
LFC-3	7.0	200/220	1.5	50 ~ 90	300-400	HFC/ Frequency Type
LFC-4	10.0	200/220	2.0	50 ~ 90	400-450	HFC/ Frequency Type
LFC-6	12.5	200/220	2.0	50 ~ 90	450-550	HFC/ Frequency Type
LFC-4H	8.0	200/220	2.0	50 ~ 90	200x500	HFC/ Frequency Type
LFC-5H	19.0	200/220	2.5	50 ~ 90	250x600	HFC/ Frequency Type
LFC-6H	20.0	200/220	2.5	50 ~ 90	300x600	HFC/ Frequency Type
LFC-8H	30.0	200/220	3.0	50 ~ 90	300x800	HFC/ Frequency Type
LFC-10H	40.0	200/220	3.0	50 ~ 90	400x1200	HFC/ Frequency Type