

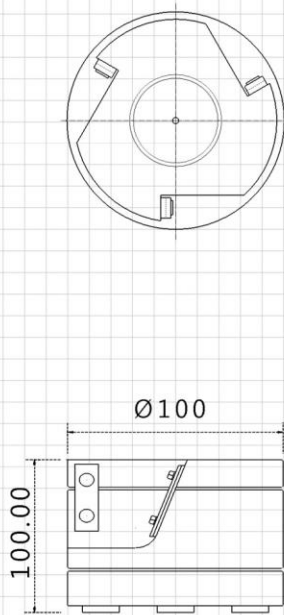
## DF Series ( Light Duty Type)

DF series drive units are suitable for small and delicate precision parts. Feature in small amplitudes and fine vibration which is optimal for a smooth and stable transportation for delicate feeding. Its compact design requires only minimal space.

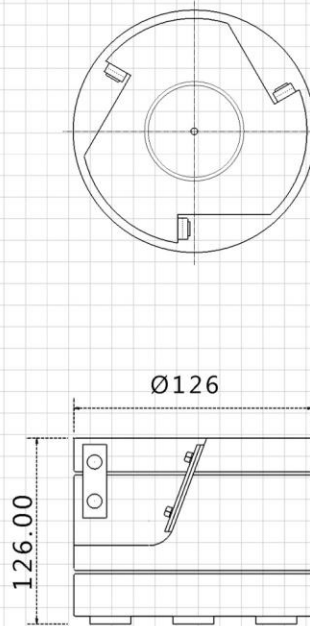


### Dimensional Drawing

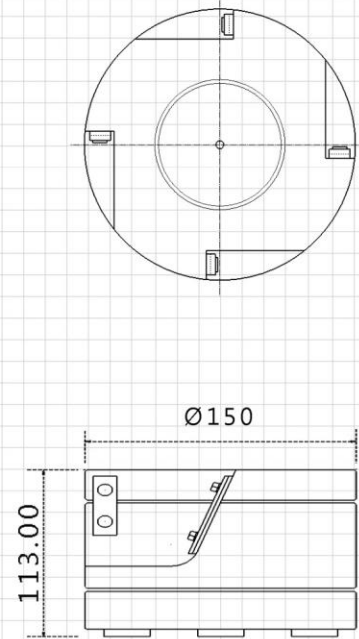
[DF-10]



[DF-120]



[DF-15]



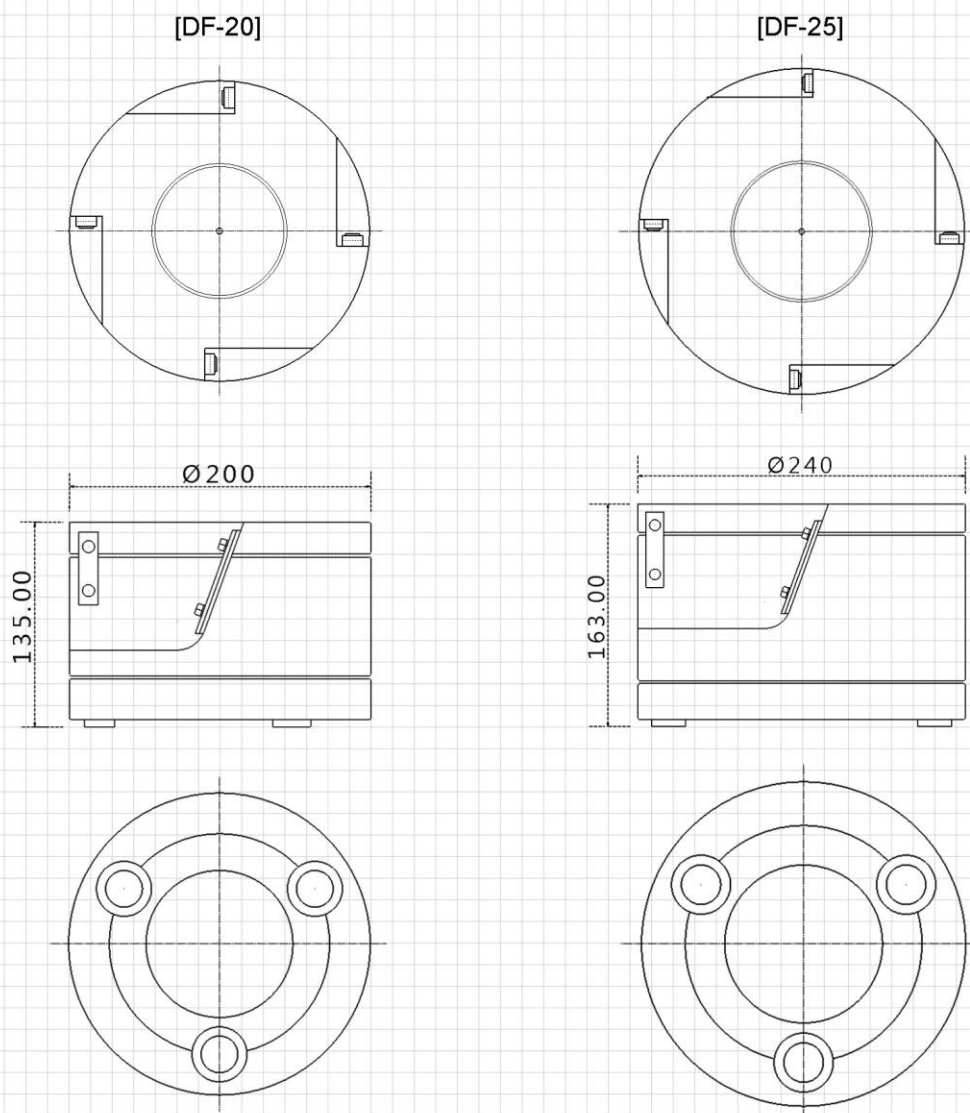
#### Features

- Small amplitudes and stable vibration.
- Lighter weight and compact size.
- Ideal for small delicate precision parts.
- Powered by electromagnetic coil.

### Specification

Model	Weight (KG)	Input Voltage (V)	Rated Current (A)	Frequency of vibration (time/min)	Standard Bowl Diameter (Ø)	Applicable Controller
DF-10	4.0	200/220	1.0	3600-7200	100-120	HFC / Frequency Type
DF-120	6.0	200/220	1.5	3600-7200	120-180	HFC / Frequency Type
DF-15	8.0	200/220	1.5	3600-7200	150-200	HFC / Frequency Type

**Dimensional Drawing**



**Specification**

Model	Weight (KG)	Input Voltage (V)	Rated Current (A)	Frequency of vibration (time/min)	Standard Bowl Diameter (Ø)	Applicable Controller
DF-20	16.0	200/220	2.0	3600-7200	250-300	HFC/ Frequency type
DF-25	20.0	200/220	2.5	3600-7200	350-400	HFC/ Frequency type