

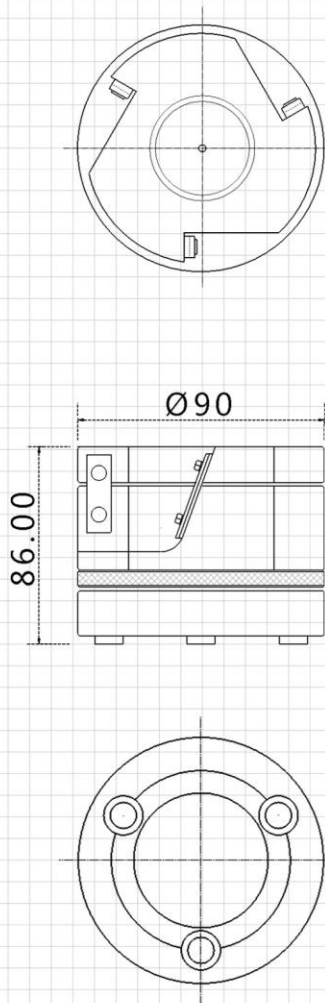
HDF Series (Precision Type)

HDF series drive units are suitable for small and delicate precision parts. Feature in small amplitudes and fine vibration which is optimal for a smooth and stable transportation for delicate feeding.

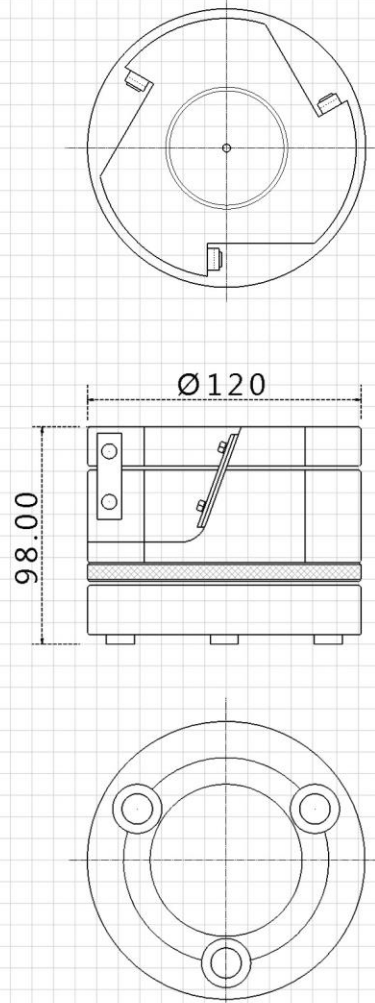


Dimensional Drawing

[HDF-90]



[HDF-120]



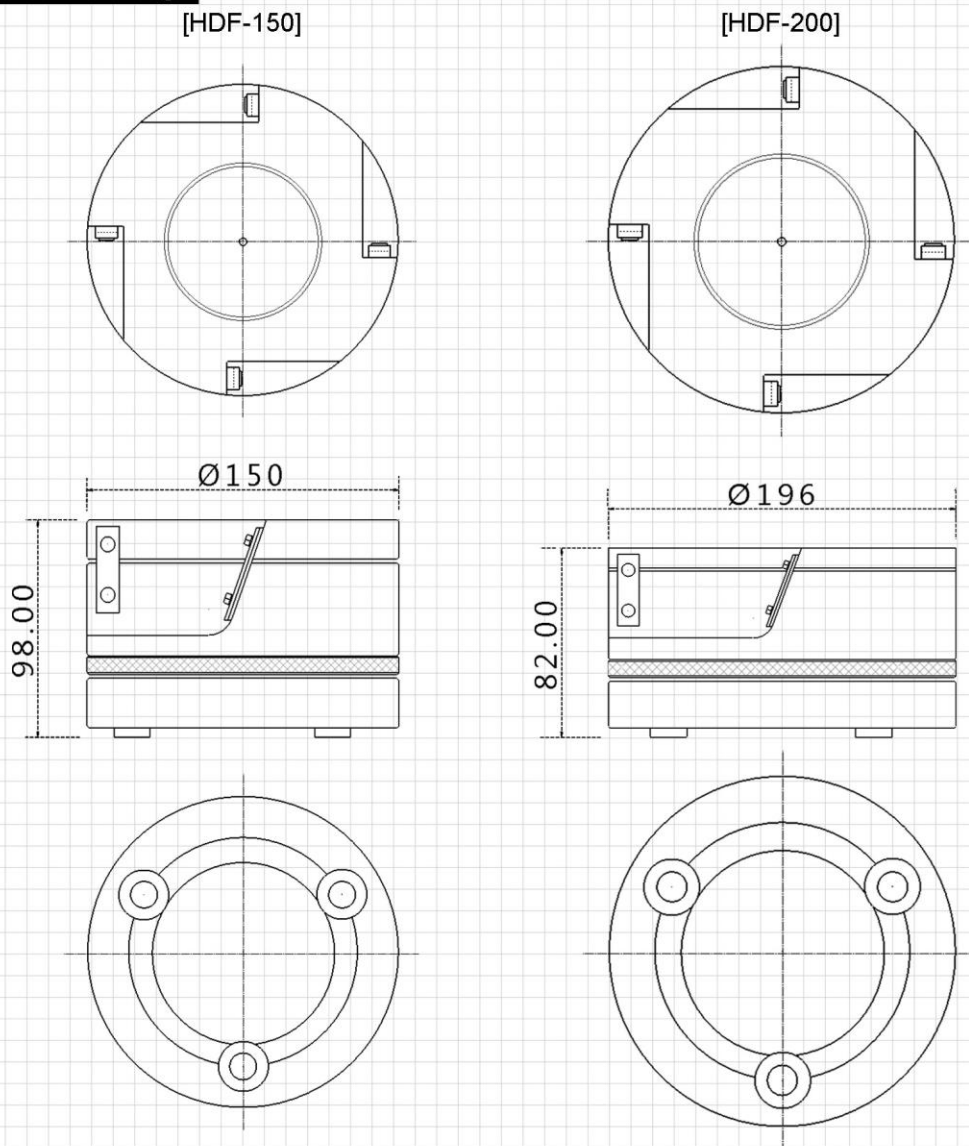
Features

- Small amplitudes and stable vibration.
- Lighter and compact.
- Ideal for small delicate precision parts.
- Powered by electromagnetic coil.

Specification

Model	Weight (KG)	Input Voltage (V)	Rated Current (A)	Frequency of vibration (time/min)	Standard Bowl Diameter (Ø)	Applicable Controller
HDF-90	3.0	200/220	0.5	5000-9000	90-120	HFC/ Frequency Type
HDF-120	5.0	200/220	1.0	5000-9000	150-180	HFC/ Frequency Type

Dimensional Drawing



Specification

Model	Weight (KG)	Input Voltage (V)	Rated Current (A)	Frequency of vibration (time/min)	Standard Bowl Diameter (Ø)	Applicable Controller
HDF-150	8.0	110/220	1.0	5000-9000	180-200	HFC/ Frequency type
HDF-200	10.0	110/220	1.5	5000-9000	220-280	HFC/ Frequency type