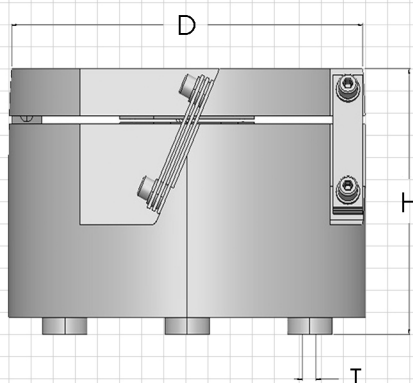
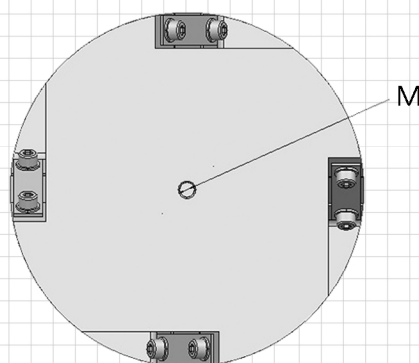
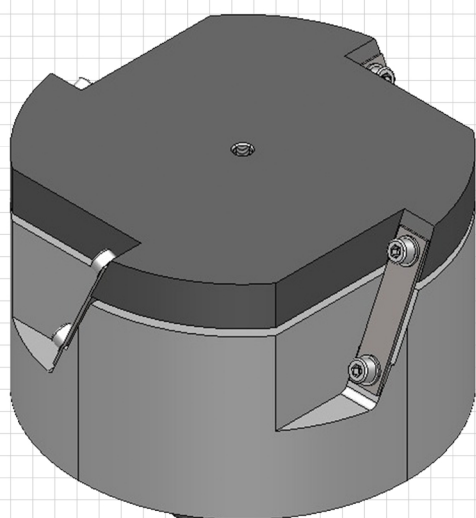


DF Series (Light Duty Type)

DF series drive units are suitable for small and delicate precision parts. Feature in small amplitude and fine vibration which is optimal for a smooth and stable transportation for delicate feeding. Its compact design requires only minimal space.

Dimensional Drawing

[DF Series]



Features

- Small amplitudes and stable vibration.
- Lighter and compact.
- Ideal for small delicate precision parts.
- Powered by electromagnetic coil.

Dimension

Model	M	D	H	T
DF-10	M6	100	100	M5
DF-15	M8	150	113	M6
DF-20	M10	200	135	M8
DF-25	M10	240	163	M8

Specification

Model	Weight (KG)	Input Voltage (V)	Rated Current (A)	Frequency of vibration (time/min)	Standard Bowl Diameter (Ø)	Applicable Controller
DF-10	3.0	200/220	0.5	5000-9000	100-120	HFC/ Frequency Type
DF-15	8.0	200/220	1.5	5000-9000	150-200	HFC/ Frequency Type
DF-20	16.0	200/220	2.0	5000-9000	250-300	HFC/ Frequency Type
DF-25	20.0	200/220	2.5	5000-9000	350-400	HFC/ Frequency Type