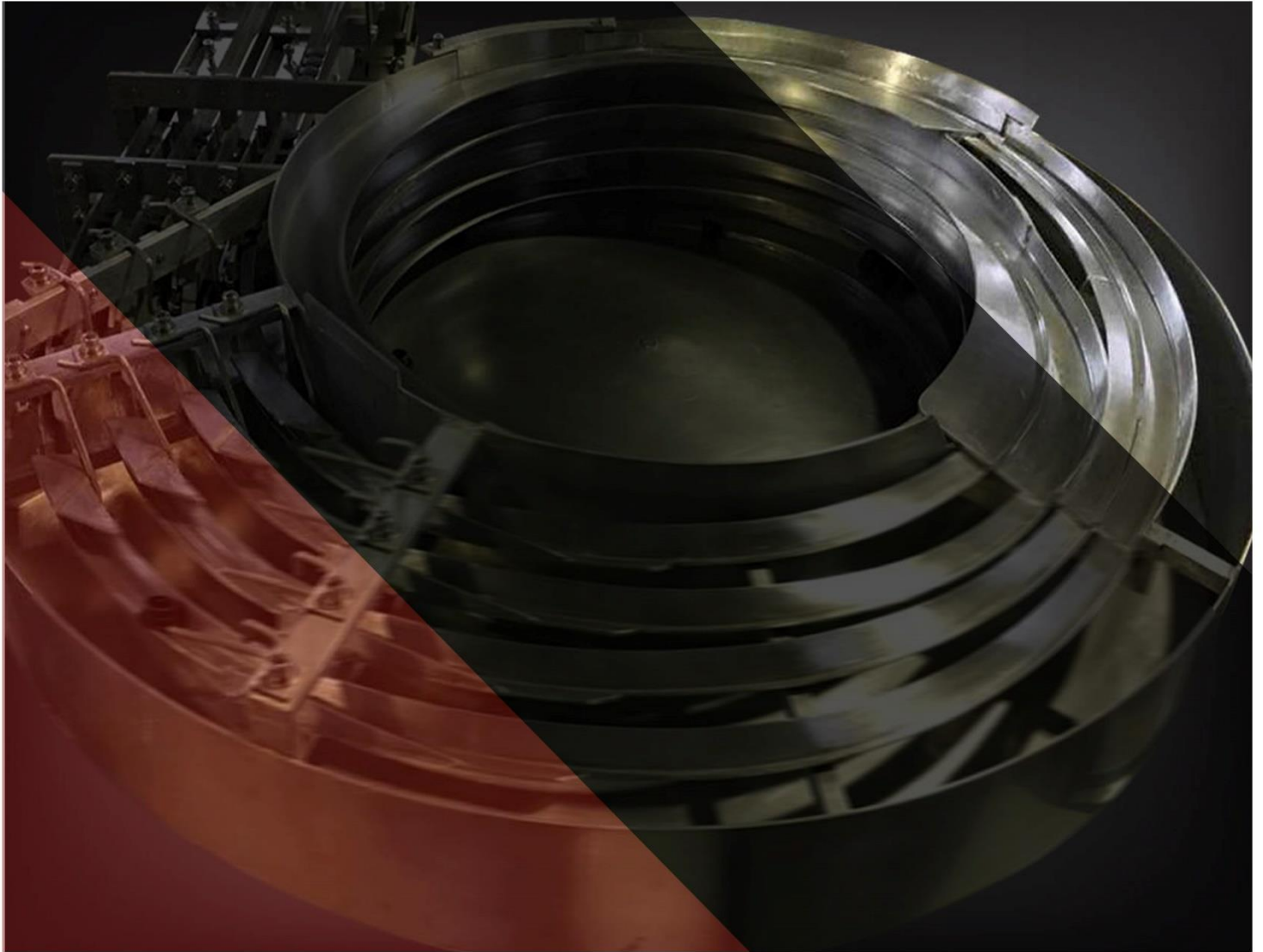


Vibratory Bowl Feeder System



SJR AUTOMATION

Parts Handling Specialist

Singapore

SJR Automation Pte. Ltd.

100 Eunos Avenue 7,
#03-14,
Singapore 409572.

Tel : +65 6909 7668
Mobile : +65 9383 6118

Email : sales@sjrautomation.com
Website : www.sjrautomation.com

Malaysia

Hi-Feed Technology Sdn. Bhd.

No. 1, Jalan Anggerik
Mokara 31/53
Kota Kemuning, 40460
Shah Alam, Selangor,
Malaysia.

Tel : 603-5124 8130/31
Fax : 603-5124 8134

E-mail : sales@hifeed.com.my
Website : www.hifeed.com.my

SJR Automation Pte. Ltd.

100 Eunos Avenue 7,
#03-14, Singapore 409572.

Tel : +65 6909 7668
Email : sales@sjrautomation.com
Website : www.sjrautomation.com



About The Company

SJR Automation is a family-owned enterprise that has its headquarter, Hi-Feed Technology Sdn. Bhd. in Malaysia, which is established in the year 1995. For over 25 years, Hi-Feed Technology Sdn. Bhd. has been a recognized name in the Malaysia industrial assembly automation industry.

The orienting and conveying of components parts has been the very core of our existence, providing for our customers from various industries at different locations in the world. We provide a one-stop solution for vibratory parts feeder system equipment, bespoke tooling, and machining services.

SJR Automation is proud to be the appointed dealer for Rhein Nadel Automation GmbH RNA components in Southeast Asia.



Table of Contents

02 | ABOUT THE COMPANY
- SJR AUTOMATION

04 | PARTS FEEDER SYSTEMS

05 | PRODUCTS & SERVICES

06 | COMPONENTS
~ 13
- DRIVE UNITS

14 | COMPONENTS
~ 17
- LINEAR FEEDERS

18 | COMPONENTS
- CONTROL UNITS

19 | STANDARD BOWL TOP

20 | TREATMENTS

21 | CNC PRECISION BOWL

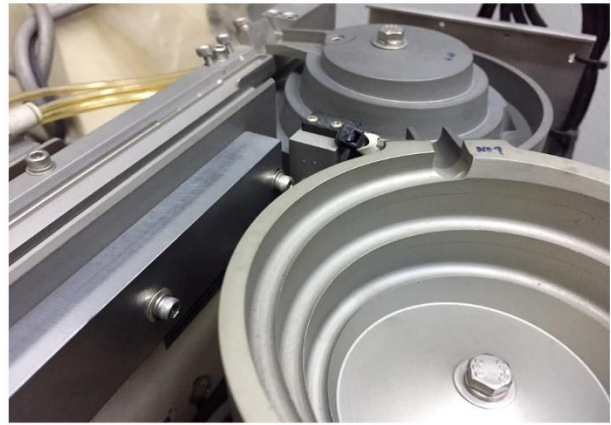
Feeding system is available from



Products and Services

SJR Automation manufactured vibratory bowl feeder, CNC precision bowl and also supply all kinds of industrial use parts feeder systems such as internal bowl treatments and standards parts feeder.

At our company, we pride ourselves on exceptional quality. Our vibratory parts feeding system is custom made specifically to suit our customer's unique requirements and needs.



Vibratory Bowl Feeder



Linear Feeder



Sound Enclosure



Hopper Feeder



CNC 5-Axis



Bowl Treatment



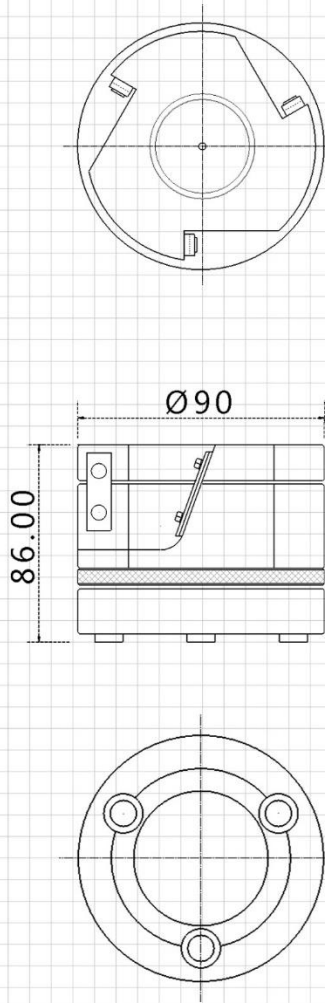
HDF Series (Precision Type)

HDF series drive units are suitable for small and delicate precision parts. Feature in small amplitudes and fine vibration which is optimal for a smooth and stable transportation for delicate feeding.

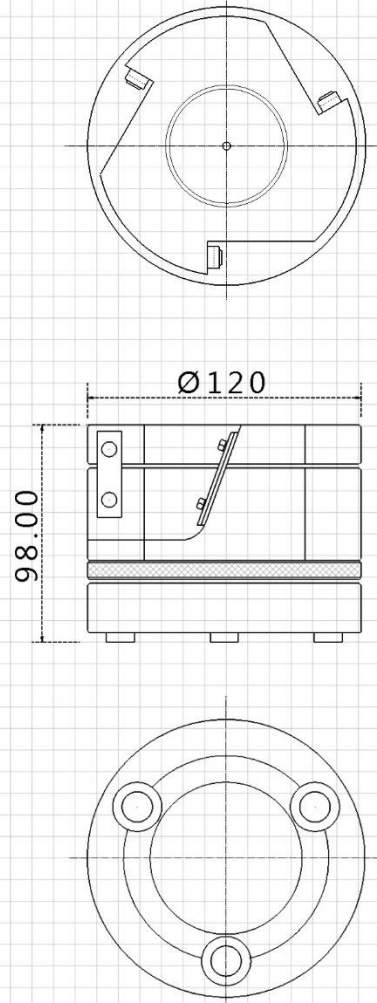


Dimensional Drawing

[HDF-90]



[HDF-120]



Features

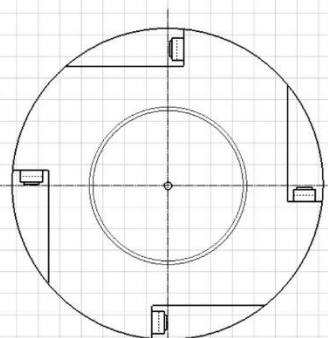
- Small amplitudes and stable vibration.
- Lighter and compact.
- Ideal for small delicate precision parts.
- Powered by electromagnetic coil.

Specification

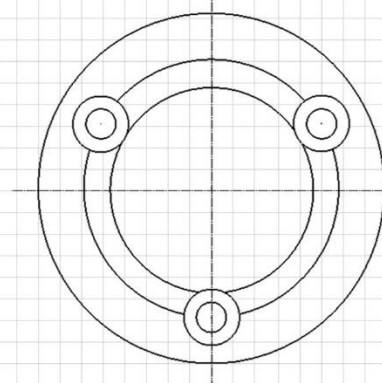
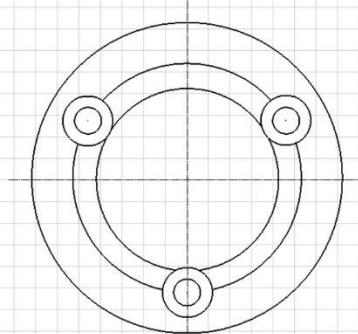
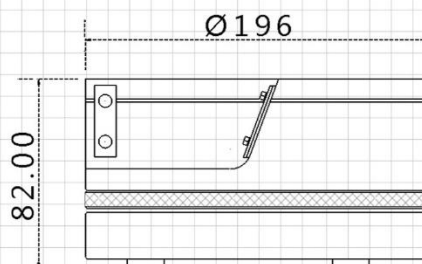
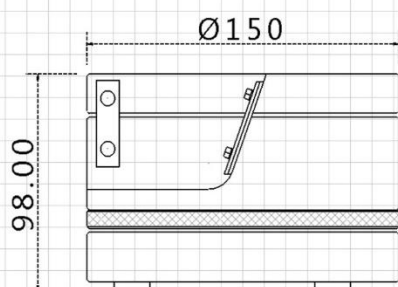
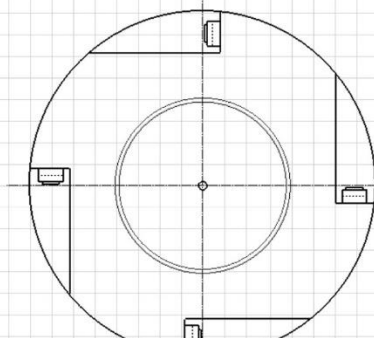
Model	Weight (KG)	Input Voltage (V)	Rated Current (A)	Frequency of vibration (time/min)	Standard Bowl Diameter (Ø)	Applicable Controller
HDF-90	3.0	200/220	0.5	5000-9000	90-120	HFC/ Frequency Type
HDF-120	5.0	200/220	1.0	5000-9000	150-180	HFC/ Frequency Type

Dimensional Drawing

[HDF-150]



[HDF-200]


Specification

Model	Weight (KG)	Input Voltage (V)	Rated Current (A)	Frequency of vibration (time/min)	Standard Bowl Diameter (Ø)	Applicable Controller
HDF-150	8.0	110/220	1.0	5000-9000	180-200	HFC/ Frequency type
HDF-200	10.0	110/220	1.5	5000-9000	220-280	HFC/ Frequency type

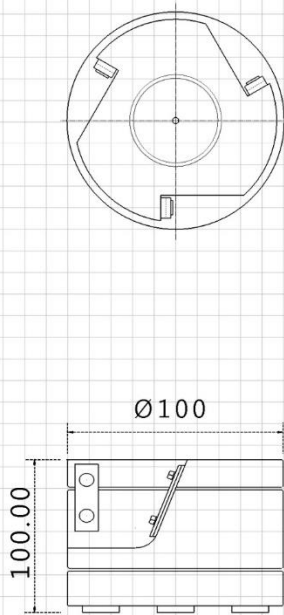
DF Series (Light Duty Type)

DF series drive units are suitable for small and delicate precision parts. Feature in small amplitudes and fine vibration which is optimal for a smooth and stable transportation for delicate feeding. Its compact design requires only minimal space.

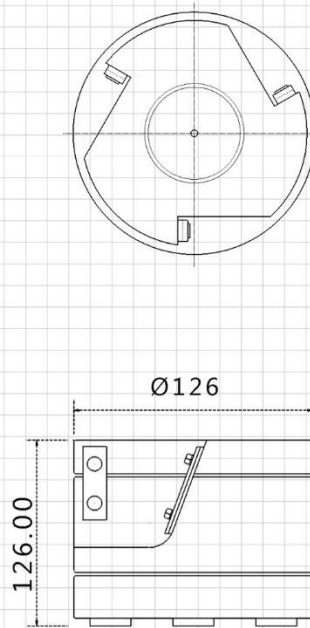


Dimensional Drawing

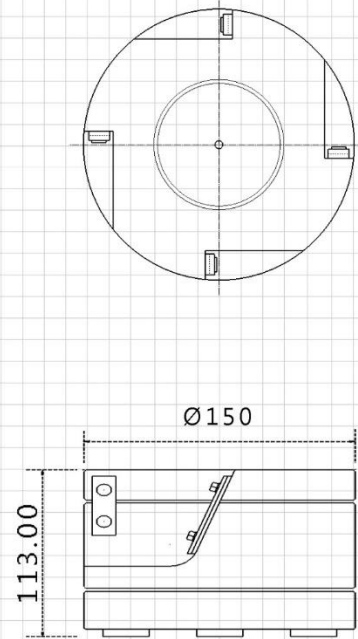
[DF-10]



[DF-120]



[DF-15]

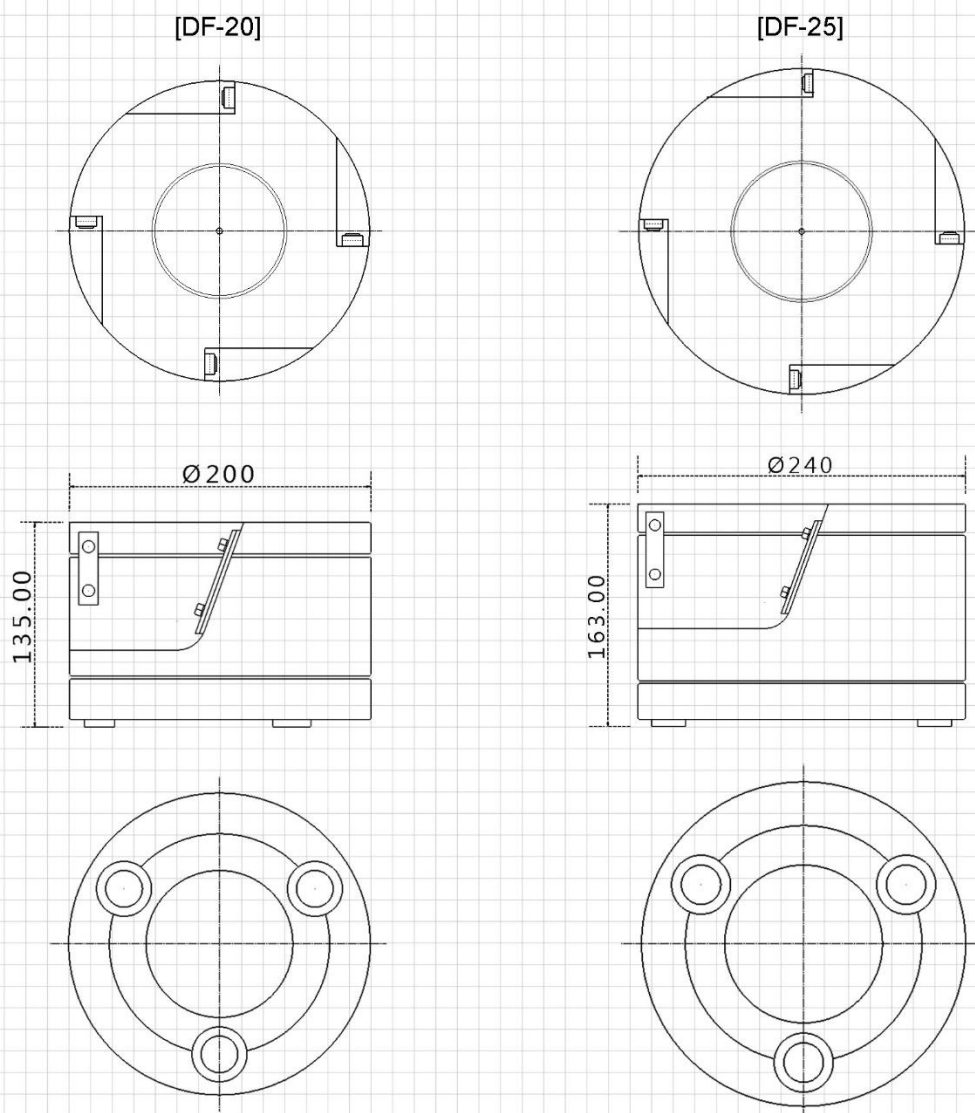


Features

- Small amplitudes and stable vibration.
- Lighter weight and compact size.
- Ideal for small delicate precision parts.
- Powered by electromagnetic coil.

Specification

Model	Weight (KG)	Input Voltage (V)	Rated Current (A)	Frequency of vibration (time/min)	Standard Bowl Diameter (Ø)	Applicable Controller
DF-10	4.0	200/220	1.0	3600-7200	100-120	HFC / Frequency Type
DF-120	6.0	200/220	1.5	3600-7200	120-180	HFC / Frequency Type
DF-15	8.0	200/220	1.5	3600-7200	150-200	HFC / Frequency Type

Dimensional Drawing

Specification

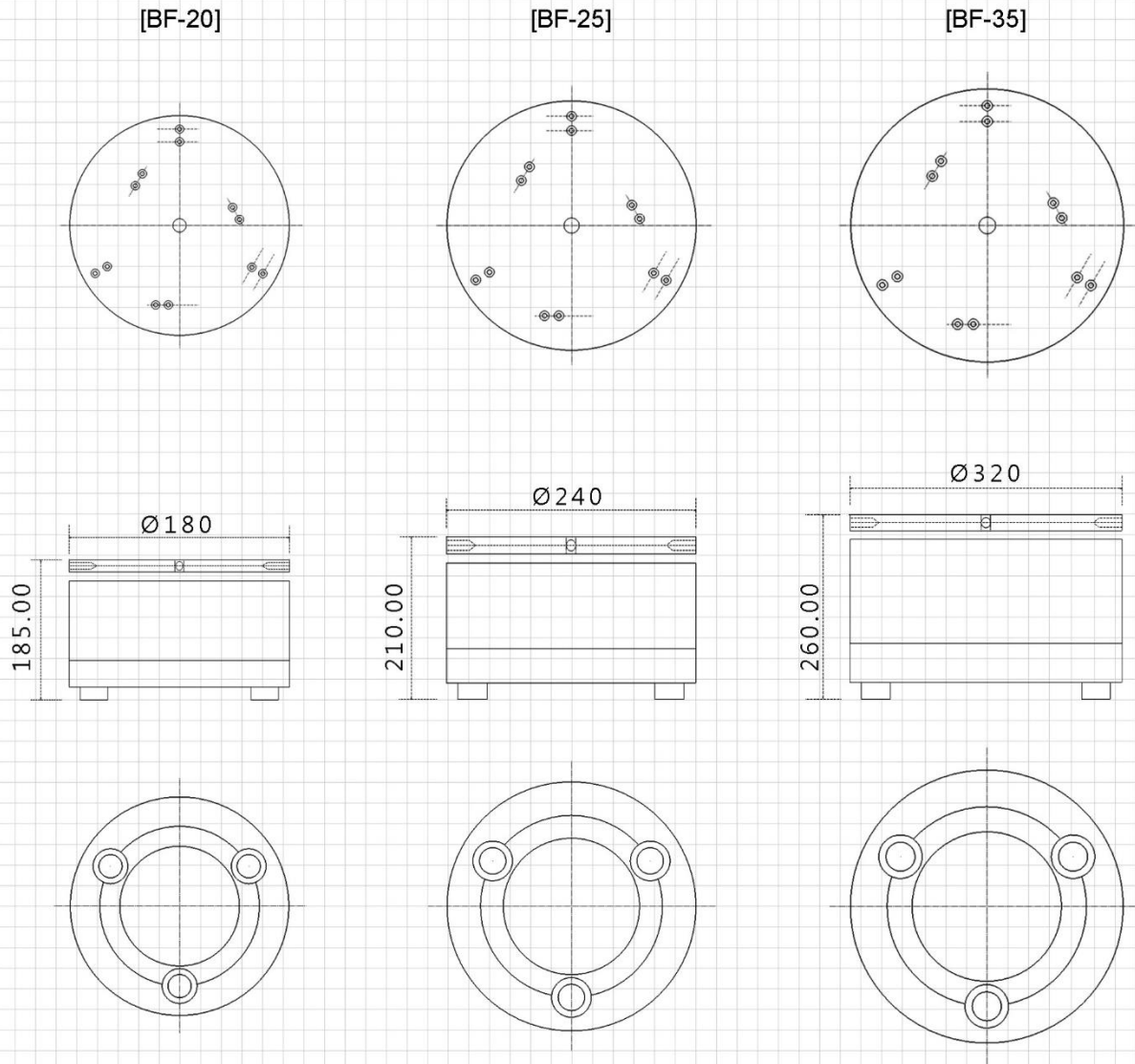
Model	Weight (KG)	Input Voltage (V)	Rated Current (A)	Frequency of vibration (time/min)	Standard Bowl Diameter (Ø)	Applicable Controller
DF-20	16.0	200/220	2.0	3600-7200	250-300	HFC/ Frequency type
DF-25	20.0	200/220	2.5	3600-7200	350-400	HFC/ Frequency type

BF Series (Medium / Heavy Duty Type)

BF series drive units are suitable for medium and large parts feeding. Feature in larger amplitudes which is optimal for heavier and larger workpiece and ideal for a wider range application.



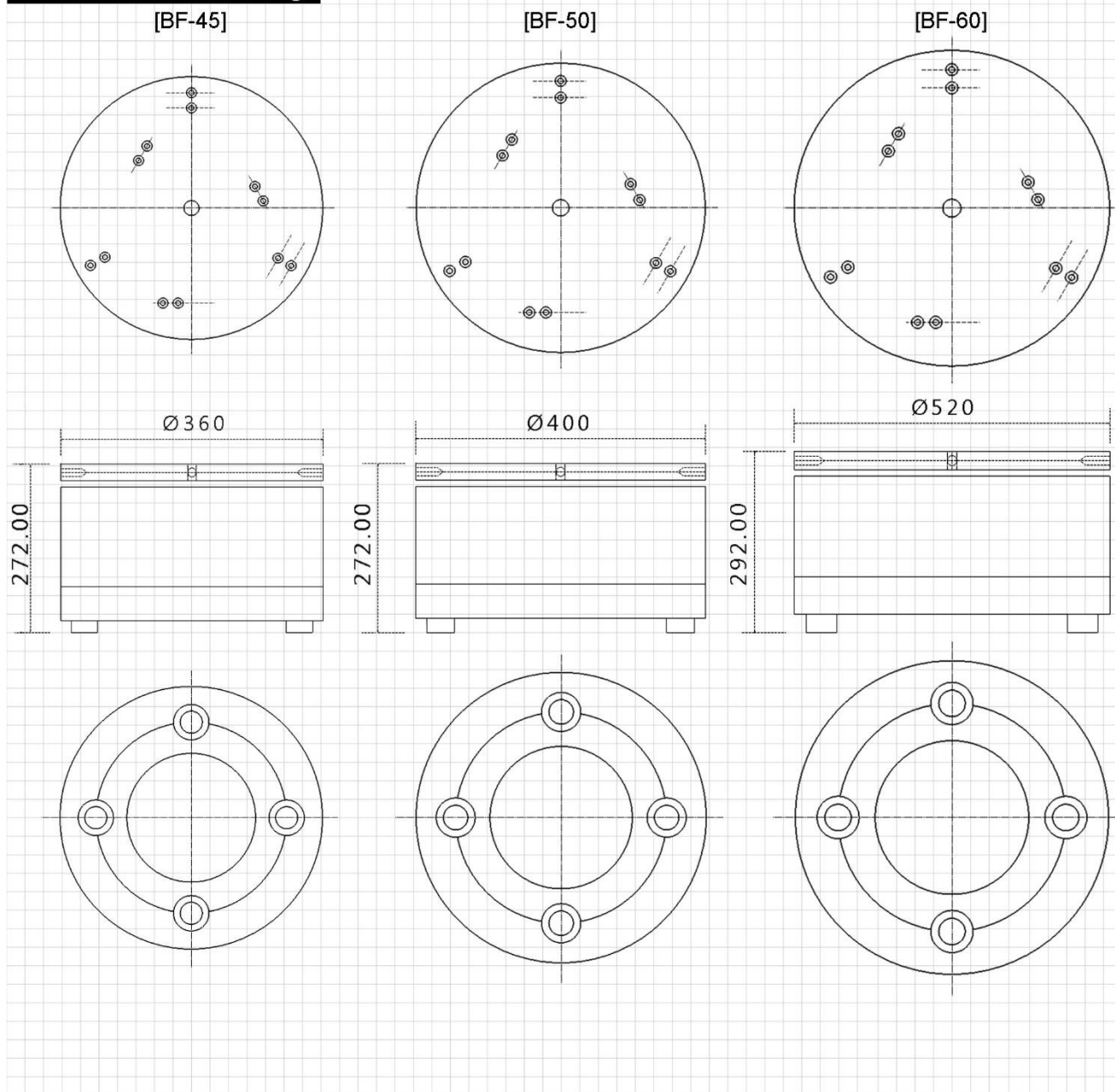
Dimensional Drawing



- Features**
- Large amplitudes.
 - Optimal for heavier/ larger workpiece.
 - Wider range of application.
 - Powered by electromagnetic coil.

Specification

Model	Weight (KG)	Input Voltage (V)	Rated Current (A)	Frequency of vibration (time/min)	Standard Bowl Diameter (Ø)	Applicable Controller
BF-20	18.0	200/220	2.0	3600-7200	200-250	HFC/ Frequency Type
BF-25	25.0	200/220	3.0	3600-7200	250-300	HFC/ Frequency Type
BF-35	40.0	200/220	4.0	3600-7200	350-400	HFC/ Frequency Type

Dimensional Drawing

Specification

Model	Weight (KG)	Input Voltage (V)	Rated Current (A)	Frequency of vibration (time/min)	Standard Bowl Diameter (Ø)	Applicable Controller
BF-45	60.0	200/220	4.0	3000-3600	400-450	HFC/ Frequency type
BF-50	70.0	200/220	4.0	3000-3600	450-500	HFC/ Frequency type
BF-60	120.0	200/220	5.0	3000-3600	500-700	HFC/ Frequency type

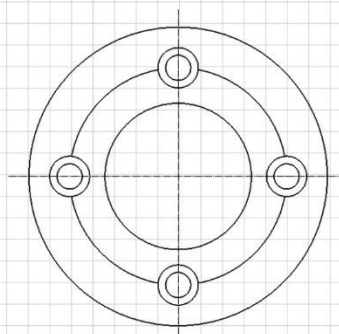
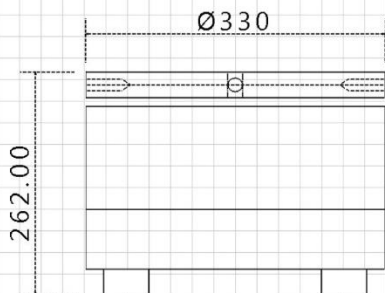
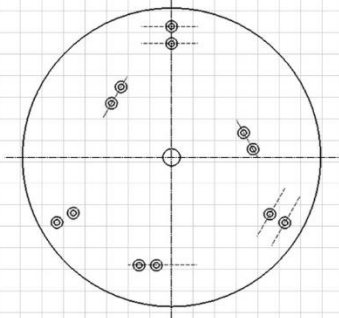
HBF Series (Heavy Duty Type)

HBF series drive units are suitable for heavy duty and big parts. Feature in big amplitudes and fine vibration which is optimal for a smooth and stable transportation for delicate feeding.

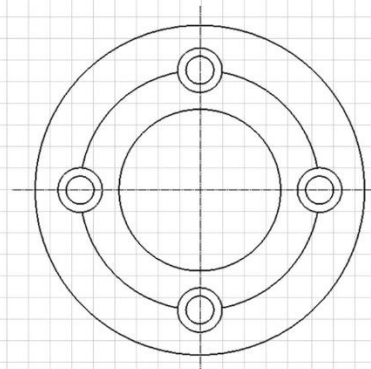
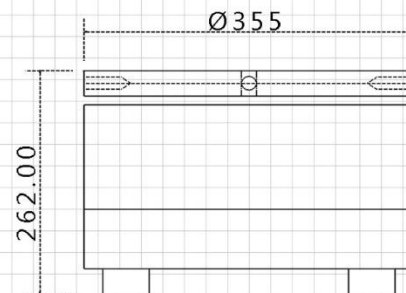
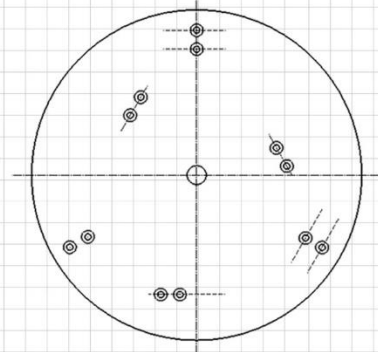


Dimensional Drawing

[HBF-250-2]



[HBF-300-1/2]

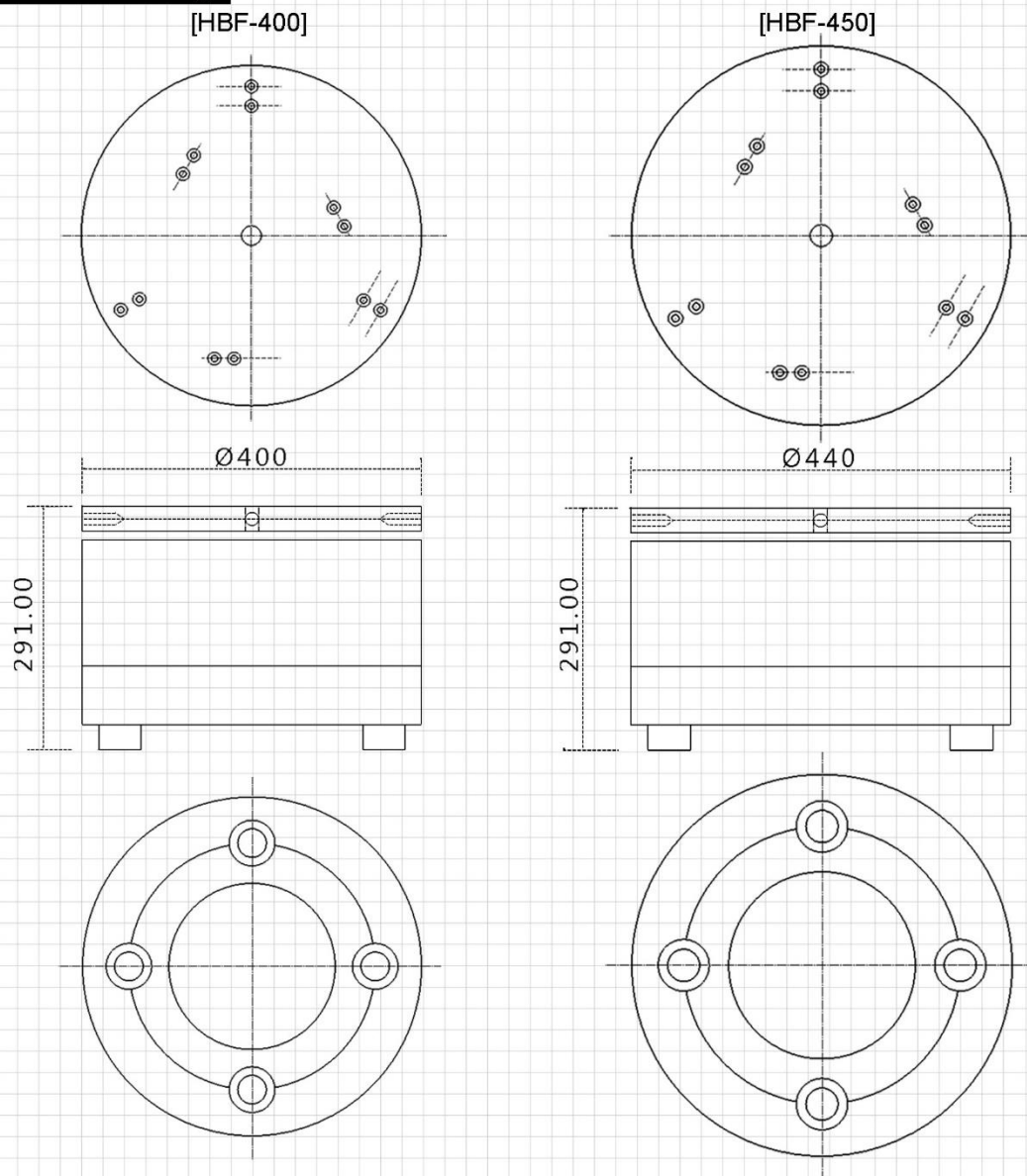


Features

- Large amplitudes and stable vibrations.
- Suitable for heavy duty.
- Ideal for large parts.
- Powered by electromagnetic coil.

Specification

Model	Weight (KG)	Input Voltage (V)	Rated Current (A)	Frequency of vibration (time/min)	Standard Bowl Diameter (Ø)	Applicable Controller
HBF-250-2	40.0	200/220	3.0	5000-9000	300-400	HFC/ Frequency Type
HBF-300-1/2	50.0	200/220	3.0	5000-9000	400-450	HFC/ Frequency Type

Dimensional Drawing

Specification

Model	Weight (KG)	Input Voltage (V)	Rated Current (A)	Frequency of vibration (time/min)	Standard Bowl Diameter (Ø)	Applicable Controller
HBF-400	60.0	200/220	4.0	5000-9000	450-500	HFC/ Frequency type
HBF-450	70.0	200/220	4.0	5000-9000	500-700	HFC/ Frequency type

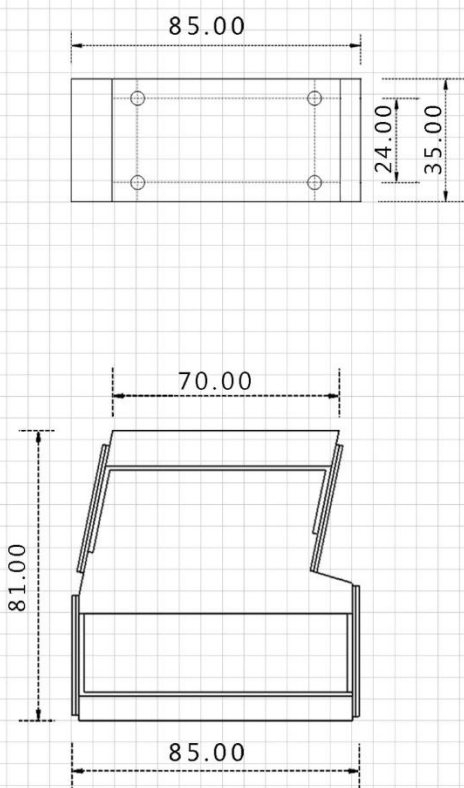
LFD Series (Precision / Light Duty Type)

LFD series drive units are suitable for precision parts. Feature in leaf spring to absorb rebound which is optimal for a smooth and stable transportation for delicate feeding. It is ideal for micro-sized workpiece.

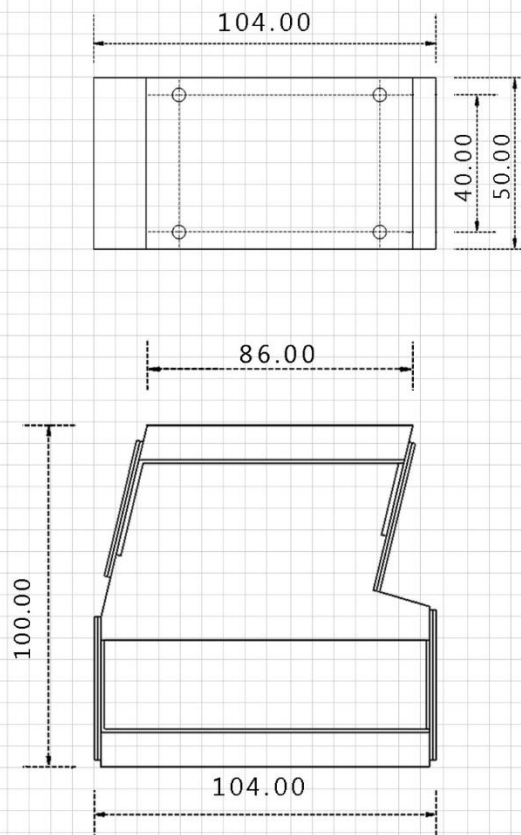


Dimensional Drawing

[LFD-70]



[LFD-86]



Features

- Leaf spring installed to absorb rebounds.
- Optimal for small precision parts.
- Ideal for micro sized work piece.
- Powered by electromagnetic coil.

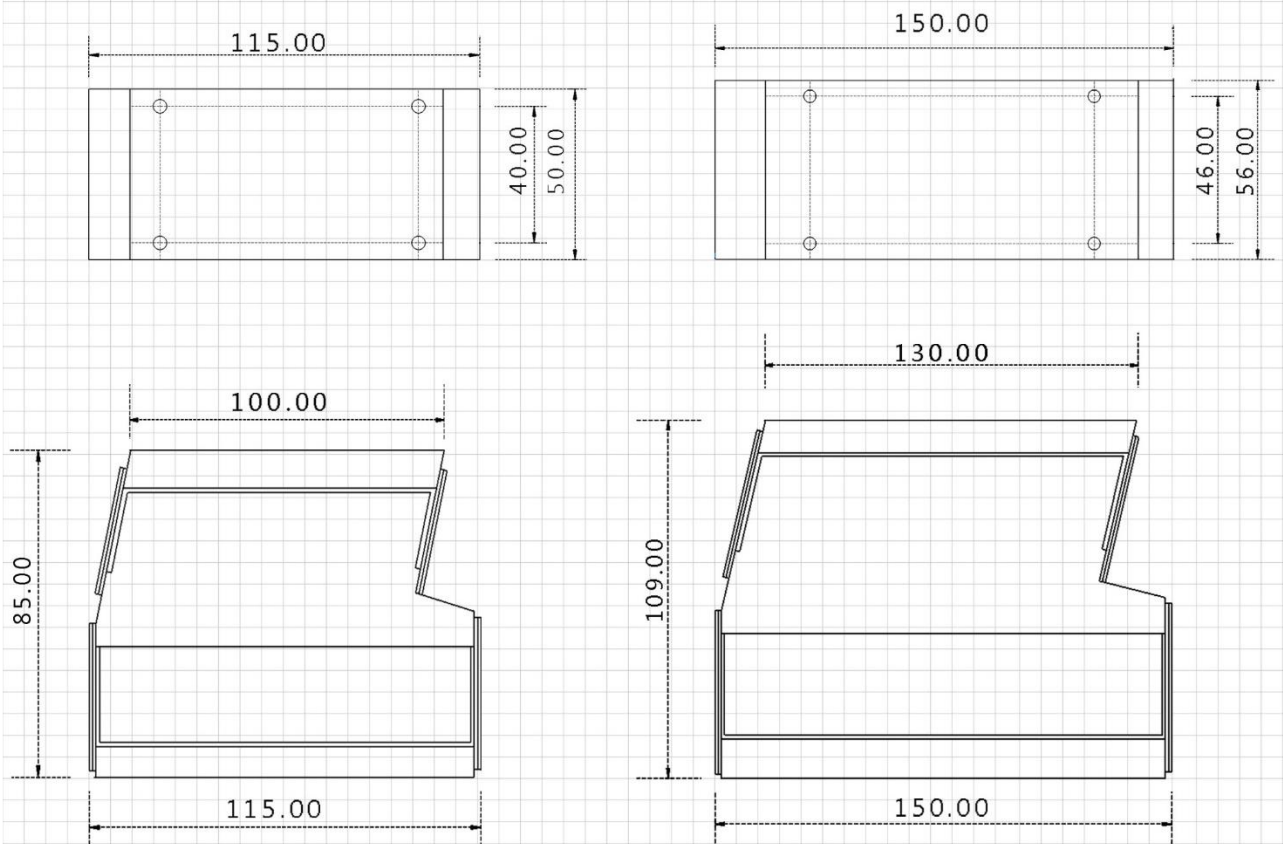
Specification

Model	Weight (KG)	Input Voltage (V)	Rated Current (A)	Frequency of vibration (min)	Track Length (mm)	Applicable Controller
LFD-70	1.0	200/220	1.0	3600-7200	200-280	HFC/ Frequency Type
LFD-86	2.0	200/220	1.5	3600/7200	300-350	HFC/ Frequency Type

Dimensional Drawing

[LFD-100]

[LFD-130]



Specification

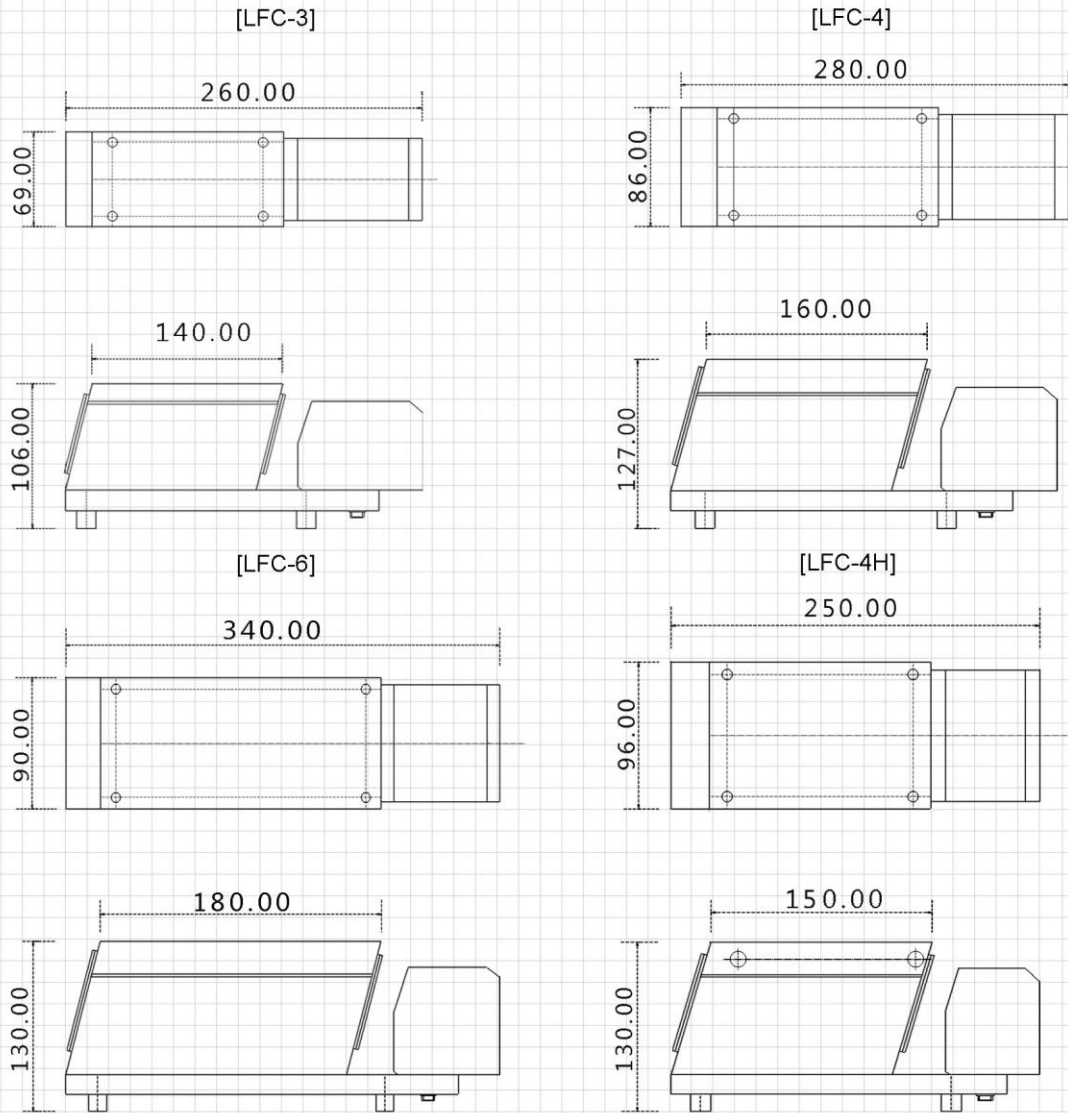
Model	Weight (KG)	Input Voltage (V)	Rated Current (A)	Frequency of vibration (time/min)	Track Length (mm)	Applicable Controller
LFD-100	3.0	200/220	1.5	3600-7200	350-400	HFC/ Frequency type
LFD-130	6.0	200/220	2.0	3600-7200	400-450	HFC/ Frequency type

LFC Series (Medium / Heavy Duty Type)

LFC series is designed for small and medium-sized parts feeding. Featured in larger amplitude and frequency, which allows parts to travel a longer distance. It is suitable for a wide range of applications which are also ideal for a larger workpiece.



Dimensional Drawing

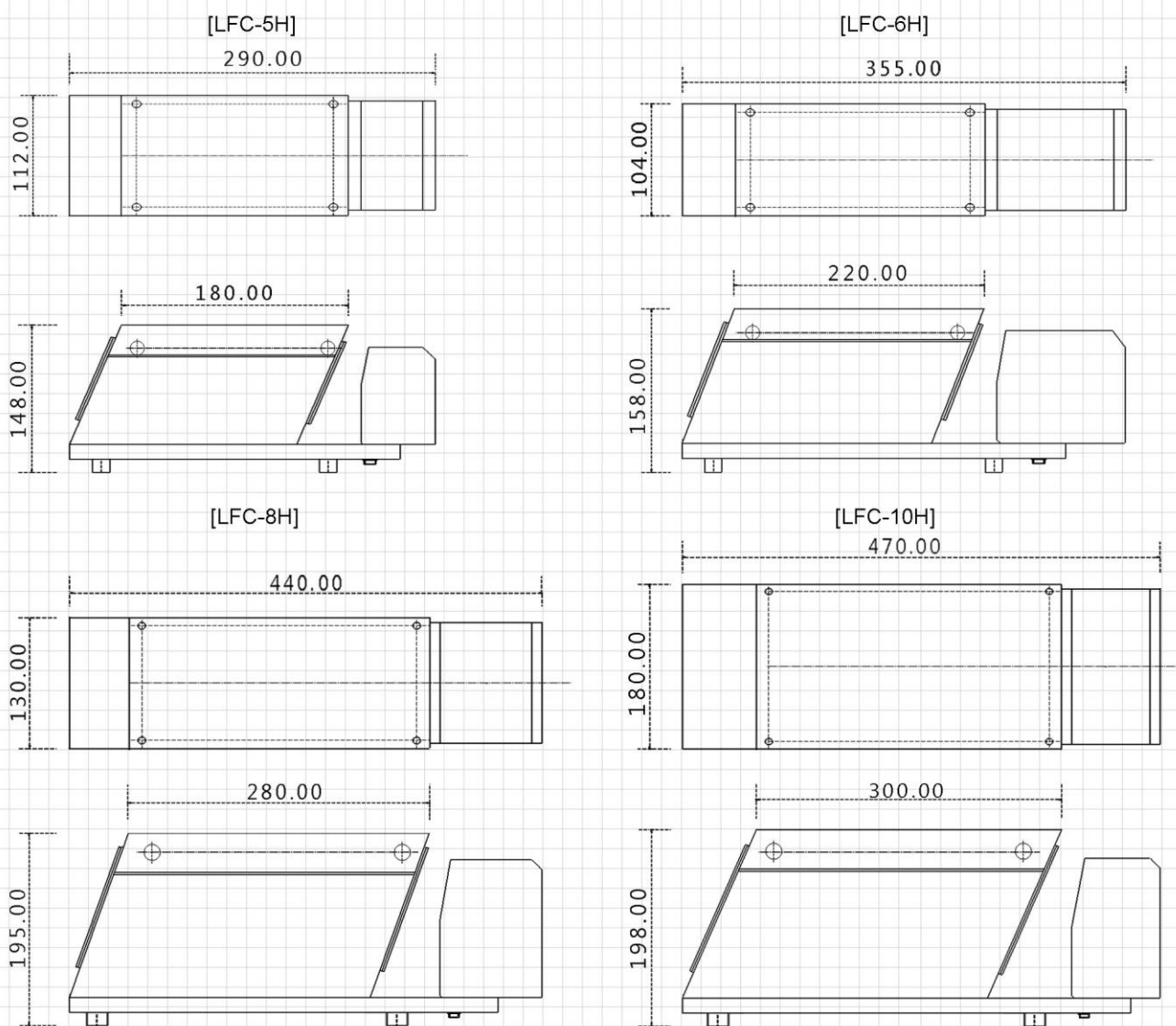


Features

- Large amplitudes.
- Optimal for heavier/ larger workpiece.
- Wider range of application.
- Powered by electromagnetic coil.

Specification

Model	Weight (KG)	Input Voltage (V)	Rated Current (A)	Frequency of vibration (time/min)	Track Length (mm)	Applicable Controller
LFC-3	5.0	200/220	1.0	3600-7200	300-400	HFC/ Frequency Type
LFC-4	7.0	200/220	2.0	3000-3600	450-500	HFC/ Frequency Type
LFC-6	8.0	200/220	2.0	3000-3600	450-600	HFC/ Frequency Type
LFC-4H	7.0	200/220	2.0	3000-3600	200x500	HFC/ Frequency Type

Dimensional Drawing

Specification

Model	Weight (KG)	Input Voltage (V)	Rated Current (A)	Frequency of vibration (time/min)	Track Length (mm)	Applicable Controller
LFC-5H	10.0	200/220	3.0	3000-3600	250 x 650	HFC/ Frequency Type
LFC-6H	12.0	200/220	3.0	3000-3600	450-600	HFC/ Frequency Type
LFC-8H	30.0	200/220	3.0	3000-3600	600-800	HFC/ Frequency Type
LFC-10H	40.0	200/220	4.0	3000-3600	800-900	HFC/ Frequency Type

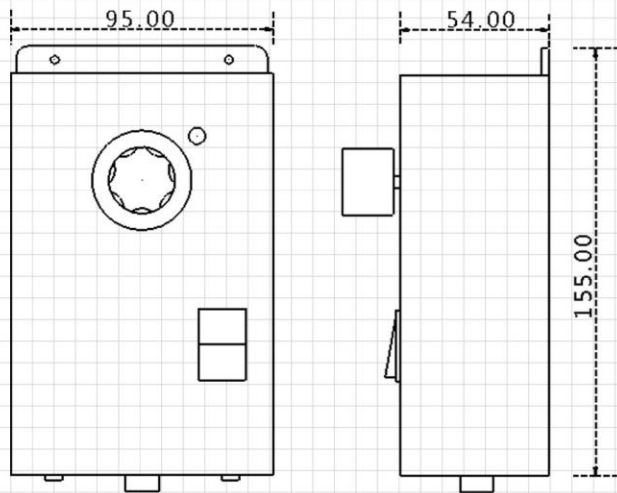
Control Unit

The HFC series is a versatile control unit which can accommodate a wide variety of equipment. The front dial permits free adjustment of vibrations to ensure optimal performance for its application. The main voltage is 110/220; 50 or 60Hz, single phase.

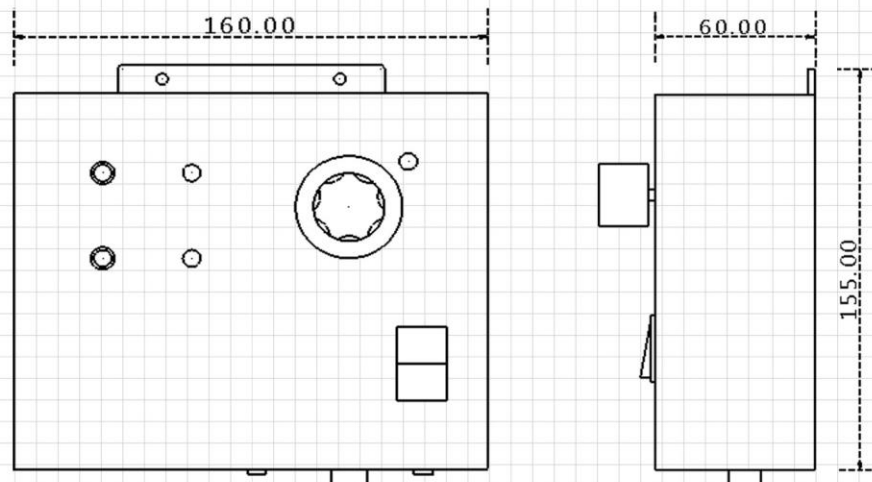


Dimensional Drawing

[HFC-10A]



[HFC-20A]



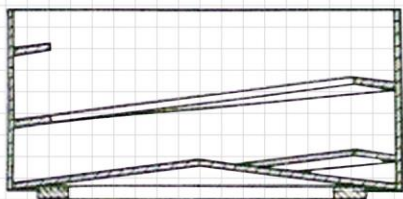
Features

- Compatible to wide range of equipment
- Free adjustment of vibration

Specification

Model	Input Voltage	Max Amps	Output Waveform	Start/Stop by External Signal	Soft Start	Timer Delay On/Off
HFC-10A	AC220V,50Hz	5.0A	Fullwave/ Halfwave (Select by Jumper)	Available	-	-
HFC-10AS	AC220V,50Hz	5.0A	Fullwave/ Halfwave (Select by Jumper)	Available	Yes (1.0sec)	-
HFC-20A	AC220V,50Hz	5.0A	Fullwave/ Halfwave (Select by Jumper)	Available	-	0-10.0sec
HFC-20AS	AC220V,50Hz	5.0A	Fullwave/ Halfwave (Select by Jumper)	Available	Yes (1.0sec)	0-10.0sec

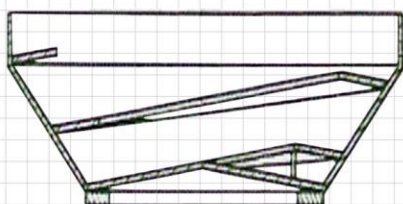
Standard Top Bowl



Cylindrical Bowl

- Provide constant feeding of components
- Ideal for small components

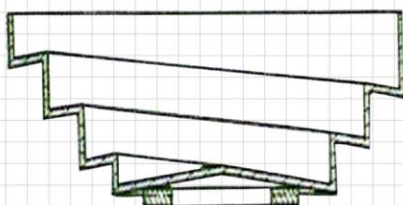
Drive Unit	Applicable Bowl Diameter (Ø)	Track Width (mm)	Height (mm)
DF-15	160	12	65
BF-25	250	20	90
BF-35	350	25	120
BF-45	450	40	180
BF-50	550	50	140
BF-60	650	50	180



Conical Bowl

- Pre-separation of components
- Higher capacity
- Ideal for heavy sharp-edges components

Drive Unit	Applicable Bowl Diameter (Ø)	Track Width (mm)	Height (mm)
DF-15	180	15	65
BF-25	300	20	90
BF-35	400	30	120
BF-45	500	60	140
BF-50	650	50	180



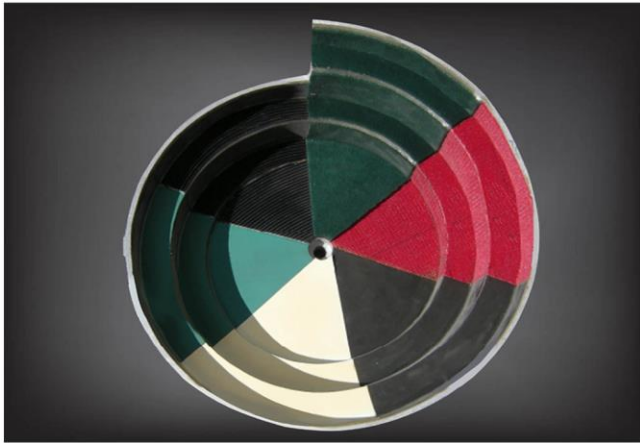
Stepped Bowl

- Larger feeding track width
- Pre-orientate components
- Larger capacity
- Ideal for larger loads

Drive Unit	Applicable Bowl Diameter (Ø)	Track Width (mm)	Height (mm)
DF-15	180	15	90
DF-25	300	20	120
BF-35	350	32	140
BF-45	450	40	140
BF-50	600	50	180
BF-60	720	65	200

Treatments

The coating protects the feeding parts to minimize friction between the workpiece and bowl surface. It can also reduce the noise generated. Other coatings are available and can be selected according to the application.



Brush green - For metal wet/oily parts
 Flock red - For special applications
 Polyurethane black - For metal dry parts
 Habasit white - For plastic parts FDA
 Habasit green - For plastic parts
 Polyurethane black ribbed - For metal wet parts



Teflon



Sandblast



Polyurethane



Diamond Profile Lining



CNC Precision Bowl

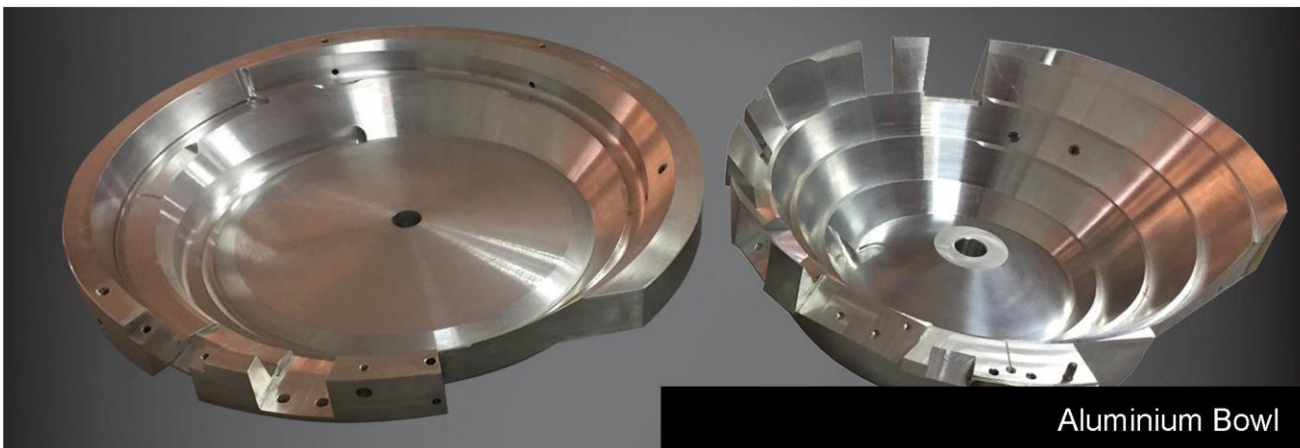
5 Axis CNC precision milling is among the most effective processes for industrial jigs and fixtures. Aluminium, stainless steel are just a few of the materials that are ideal for cutting. No matter what materials your project needs, these sophisticated tools can cut it with a precise, high-quality edge.



CNC Precision Milling



Jigs & Fixtures



Aluminium Bowl

SJR

AUTOMATION

Parts Handling Specialist



Singapore

SJR Automation Pte. Ltd.

100 Eunos Avenue 7,
#03-14,
Singapore 409572.

Tel : +65 69097668
Mobile : +65 93836118

Email : sales@sjrautomation.com
Website : www.sjrautomation.com

Malaysia

Hi-Feed Technology Sdn. Bhd.

No. 1, Jalan Anggerik
Mokara 31/53
Kota Kemuning, 40460
Shah Alam, Selangor,
Malaysia.

Tel : 603-5124 8130/31
Fax : 603-5124 8134

E-mail : sales@hifeed.com.my
Website : www.hifeed.com.my

China

GuanZhou WanShun co.

2F, No. 60 Building, Tangxi
Industrial Park.
Guanghua 4 Road,
Baiyun District, China.

Tel : 020-86301 659 /34226320
Fax : 020-86301 531

E-mail : sales@gzwanshun.com
Website : <http://www.gzwanshun.com>